



Compact in size and with 4 Wheel Drive, the Leguan can access many difficult locations. Being skid-steer, the Leguan turns on the spot, and with all controls conveniently located in the platform, is very quick and easy to operate.



Set up on a strong steel trailer, the combined weight of the Leguan and trailer is under 2 tonnes, allowing it to be easily towed behind most tradesman's vehicles.



The Leguan can be set up and elevated whilst still on the trailer, or can be driven off and used separately.

Featuring dual power sources, the Leguan is just as at home indoors as outdoors, making this machine one of the most versatile E.W.P's available.



The 125-200 is certified for two operators, and the load control system prevents operators overloading the machine.



Backyard access is easy thanks to the compact dimensions of the Leguan.



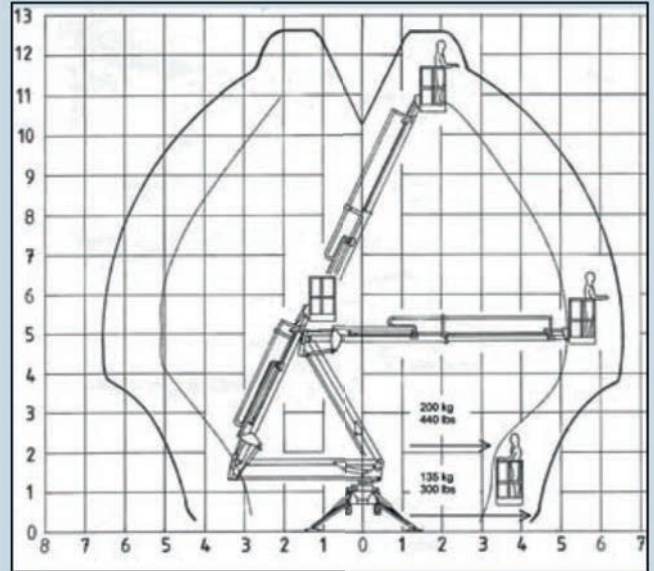
Sloping ground can be worked safely thanks to the long travel of the hydraulic stabilizer legs.



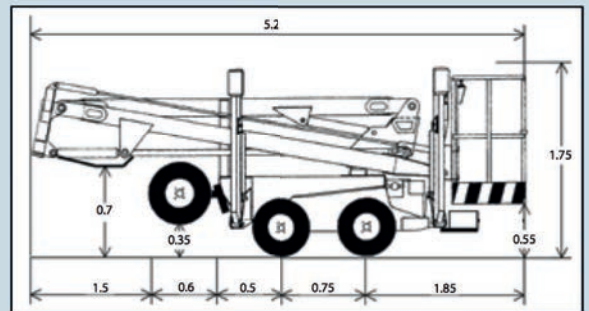
Operator visibility is excellent, allowing for precise manoeuvring through difficult areas.

SPECIFICATIONS

Maximum Working Height	12.5m
Maximum Platform Height	10.5m
Maximum Horizontal Reach	6.3m
Safe Working Load (with load control)	135/200kg
Transport Length with Platform	5.2m
Transport Length without Platform	4.4m
Overall Height	1.75m
Overall Width	Normal 23" Tyres 1.03m Narrow Tyres 0.95m Rubber Tracks 1.12m
Platform Size	0.80x1.16m
Single person platform option	0.65x0.87m
Boom Slewing	357°
Gradeability	35%
Outrigger Spread Working	3.0x3.2m
Maximum Slope for Outriggers	25%
Weight	1485kg
Hydraulic Outriggers	Standard
Drive	4WD
Powered by	Honda 13 Hp petrol
Battery Type	1 x 43Ah Starting
Battery Charger	Automatic



Complies with AS1418.10 (Int. 2004.)



STANDARD FEATURES

- Overload Control System
- Electric emergency lowering valves
- Four wheel drive
- Dual power sources
- 240 volt outlets in platform
- High pressure outlet for air or water



OPTIONAL EXTRAS

- Diesel or gas engine
- Hydraulic outlets



- Jockey Wheel (caster) for allowing smoother turns on fragile surfaces such as lawns or tiles.



- Emergency Descent Device (E.D.D.) for hostile environments.



- Rubber tracks are available for exceptionally soft or boggy conditions such as mud, sand or snow. Gives extra stability on sloping terrain.



- Non marking tyres for use on concrete or other good surfaces.



Lifting points are standard on all Monitor spider-lifts. Being light in weight they are very easily lifted onto trucks or difficult job sites.