



Extremely light weight and compact stowed size allows easy transportation. This package including the steel trailer weighs under 2t.



The light-weight basket is simple to remove in less than one minute, allowing very narrow access and a stowed length of only 3.69m



The 1365 and 1380 spiders are simple, strong machines, ideally suited to commercial contractors.



The large fly-jib is designed for maximum travel and flexibility.



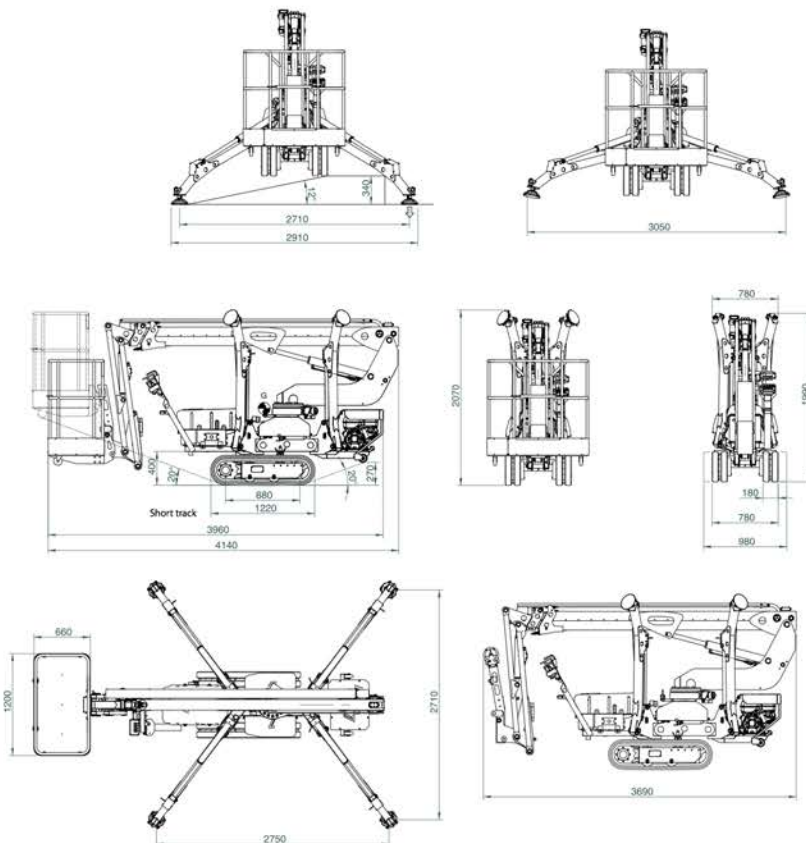
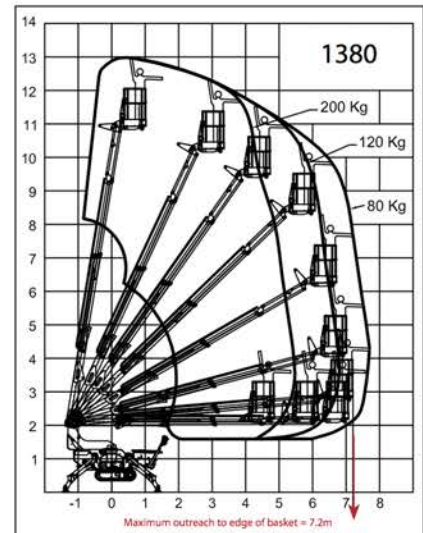
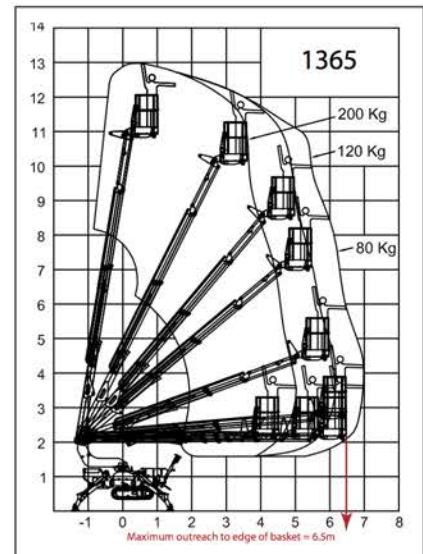
The 1365 and 1380 can be driven from the basket or the ground via a remote control.

SPECIFICATIONS

	1365	1380
Max Working Height (m)	12.99	12.99
Max Platform Height (m)	10.99	10.99
Max Horizontal Working Outreach (m)	7.00	7.70
Max Horizontal Outreach to edge of basket (m)	6.50	7.20
Lift Capacity / SWL (kg)	200	200
Weight / Outreach Limited (Yes/No)	Yes	Yes
Turret Rotation	360	360
Basket Rotation	No	No
Length with basket (m)	4.14	4.14
Length w/out basket (m)	3.69	3.69
Width stowed tracks (m)	0.78	0.78
Height (m) stowed	1.99	1.99
Basket Dimensions	1.2 x .66	1.2 x .66
Total Weight (kg)	1490	1620
Max ground pressure driving (approx)	45.1 kN/m ²	49.1 kN/m ²
Max stabilizer force	10 kN	10.8 kN
Max stabilizer pressure with std foot pad	318 kNm ²	375 kNm ²
Gradeability length-wise	27% / 15 degrees	27% / 15 degrees
Gradeability sideways	21% / 12 degrees	21% / 12 degrees
Stabilizer set-up dimensions	2.91 x 2.95 o/o	2.91 x 2.95 o/o
Narrow set-up dimensions	N/A	N/A
Max slope for stabilizers	12 degrees	12 degrees
Standard Power Source/s	Honda 13 Hp Petrol & 240 Volt electric system	Honda 13 Hp Petrol & 240 Volt electric system
Optional Power Sources	Yanmar 9 hp Diesel	
Drive system	Tracks (Short)	Tracks (Long)
Expanding tracks	Option	Std
Drive speed km/h		
2 Speed Drive	Yes	Yes
Remote drive control	Wired remote	Wired remote
Battery voltage	12	12
Basket load control	Std	Std
Electric & Air outlets in basket	Std	Std
Electric emergency lowering	Option	Option

Complies with AS1418.10

(E & OE.)



The incredibly compact dimensions of the 1380 allows it to go in a lift inside a factory to provide access on all floors.