

spiderlifth re

difficult access



Zeus 21GT

SPECIFICATIONS

PERFORMANCE

Working height, max.	21.00 m
Horizontal outreach with 250 kg	12.00 m
Up-and-over clearance, max.	9.40 m
Basket capacity	250 kg
Movable jib	-
Basket rotation	180°
Turret rotation	450°
To be jacked up on ground slope of	16.7°/30.0 %
Height and width track adjustment	19/46 cm
Gradeability, max.	16.7°/30.0 %
Slope angle	19.0°/34.0 %
Travel speed	4.0 km/h

MEASUREMENTS

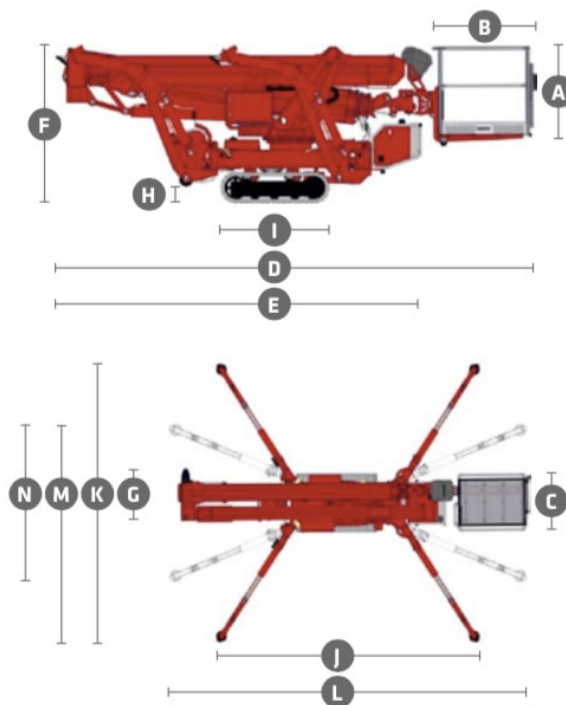
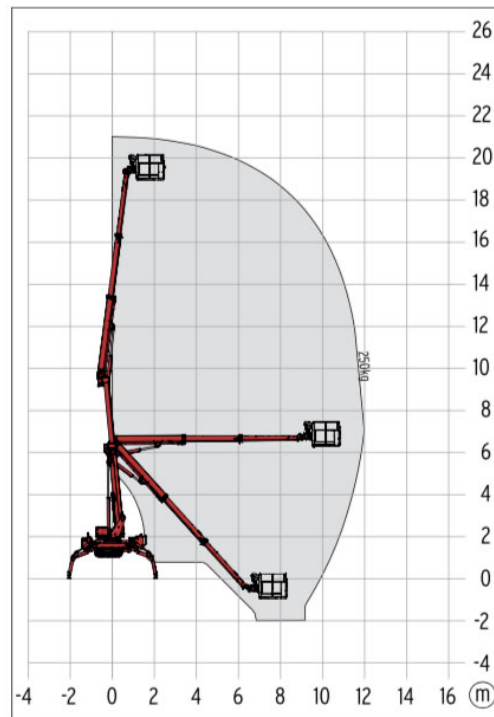
Platform height [A]	1.10 m
Platform length [B]	1.20 m
Platform width [C]	0.80 m
Length, overall [D]	6.40 m
Length without basket [E]	5.00 m
Height, travel position [F]	1.99 m
Width, minimal overall width [G]	0.98 m
Ground clearance, max. [H]	0.44 m
Track [L x W] [I]	1.45 m x 0.20 m
Length outrigger footprint standard [J]	4.70 m
Width outrigger footprint standard [K]	4.70 m
Length footprint one side narrow [L]	6.30 m
Width footprint one side narrow [M]	3.60 m
Width footprint both sides narrow [N]	2.50 m
Outrigger plate Ø	0.18 m

WEIGHT

Total weight	3000 kg
Live load in travelling position	4.64 kN/m ²
Live load in working position	1.57 kN/m ²
Point load per outrigger plate, max.	23.70 kN

POWER

Standard power sources (electric and combustion engine)	1] Diesel: Kubota Z 602 [10.8 kW/14.5 hp] 2] Li-Ion Battery: 48 V
Optional power sources	1] Electric: 230 V, 12.9 A, 2.2 kW 2] Petrol: Vanguard OHV 16 HP [11.93 kW/14.5 hp]
Fuel tank capacity petrol engine	11.5 l
Fuel tank capacity Diesel engine	11.5 l



STANDARDS COMPLIANCE

AS1418-10 2011 Cranes Hoists and Winches –
Mobile Elevating Work Platforms



CHASSIS

- Powerful track drive with hydraulic braking system
- Precise maneuvering over sensitive electrohydraulic cable remote control
- Indoor non marking rubber track, with less tread depth the profile enables smooth travelling.
- Mechanically height and width adjustable track chassis

STABILISATION

- Fully-hydraulic, automatic levelling system with outrigger setup monitoring
- Variable outriggerr system with one-side or both-sides narrow setup option
- Wear resistant, anti-friction PVC outrigger feet

BOOM SYSTEM

- Telescoping upper and lower booms, special profiles made of high-strength steel
- All functions are available from one control panel
- Electric-proportional controls with intuitive operator guidance
- Robust, lockable control panel with integrated operation and display function
- Self-levelling platform with electro-hydraulic levelling system
- Corner-mounted, 180° turnable basket for extra flexibility
- Boom rotation via high-performance slew ring, worm gear and hydraulic motor

POWER

- 230 V electric motor [EU]
- Vanguard OHP 16 HP petrol engine [11.93 kW/16 hp]
- Start-Stop switch of combustion engine in the basket

PRODUCTIVITY, SAFETY, QUALITY

- 230 V [EU] power outlet in the basket
- Modular basket with eyelets for safety belts and tool tray
- High-quality paint in RAL 3020 [red]
- Hydraulic emergency lowering via hand pump
- Cables and hoses are safely routed through the boom structure
- Biodegradable hydraulic oil
- Lock valves - hydraulic return valves directly on all hydraulic cylinders
- Relief valves protecting the hydraulic system from too high pressures
- Protective covers for oil-tank, emergency controls and connecting cables and hoses
- Hour meter
- Complete second control box on the chassis and error analysis with display
- Fuzzy IV control technology

OPTIONS

- Kubota Z602 Diesel engine [10.8 kW/14.5 hp] instead of petrol engine
- Li-Ion battery drive 48 V instead of petrol engine
- Custom paintwork, one colour, according to RAL scheme [except metallic coatings, signal- or special colors]
- Custom paintwork, two colours, according to RAL scheme [except metallic coatings, signal- or special colors]
- Hydraulically height and width adjustable track chassis instead of the mechanically height and width adjustable track chassis
- Radio remote control
- White, non-marking rubber tracks with specially arranged profile providing optimum grip

ACCESSORIES

- Safety harness
- Outrigger pad [450 x 400 x 40 mm]
- Lockable storage frame for outrigger pads
- 4 outrigger/sliding pads [700 x 220 x 60 mm]
- Track mat [2000 x 800 x 15 mm]
- 2 protective track covers, made of high-quality polypropylene fabric
- Lifting device [300 kg load capacity]
- This option can only be ordered in combination with the automatic boom function cut off.
- 4 covers on piston rod [outrigger/stabiliser] cylinders [additional weight: 10 kg]
- 2 LED headlights 10-30 V on engine unit
- Treecare package, consisting of:
 - - Protective cover over control box
 - - Covers on piston rod [outrigger/stabiliser] cylinders
- Coming Home Function
- Automatic boom function cut off by a monitoring system of the access stair locking system.
- Electric emergency lowering [additional weight: 16 kg]

TRAILERS

Bullant Tandem Trailer 4.0MT to suit Zeus by Teupen, Hot Dipped Galvanised with checker plate floor, electric drum brake axles with breakaway system, full width ramps, heavy duty swing up jockey wheel, wired Nava LED truck lighting and spare wheel. Trailer weight 860kg.

Named after the Roman god of the sky, the Zeus collection of spider lifts were titled for their impressive skyward reach.

SPIDERLIFT HIRE

The Difficult Access Hire Specialists

Phone: 1300 522 399 | www.SpiderLiftHire.com