

# RUTHMANN **BLUELIFT** SA 31



**MAXIMUM** PERFORMANCE – **MINIMUM** DIMENSIONS

**BLUELIFT SA 31**



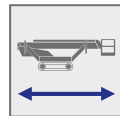
**i** (R)Evolutionary great height despite small size based on articulated boom system

- +** Quickly removable aluminum basket
- +** **5,78 m** minimum overall length (without basket)
- +** only 6,47 m overall length (with basket)
- +** **98,5 cm** minimal width
- +** **198,6 cm** height in travelposition
- +** Driving possible with jib boom raised

**+** data overview:



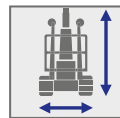
31 m



max. 6,47 m  
min. 5,78 m



17,5 m/120 kg  
15,5 m/200 kg  
14,5 m/250 kg



0,99 m/ 1,99 m



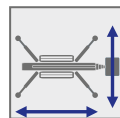
250 kg



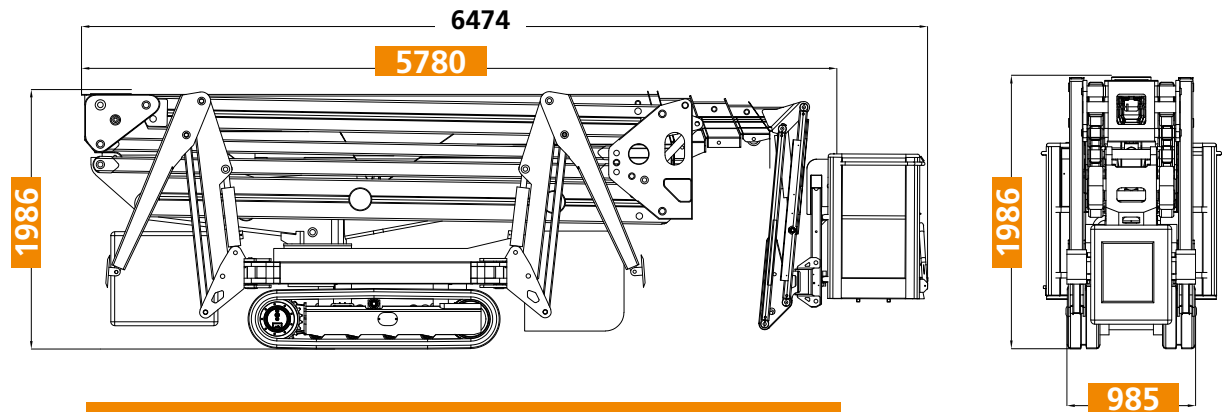
4300 kg



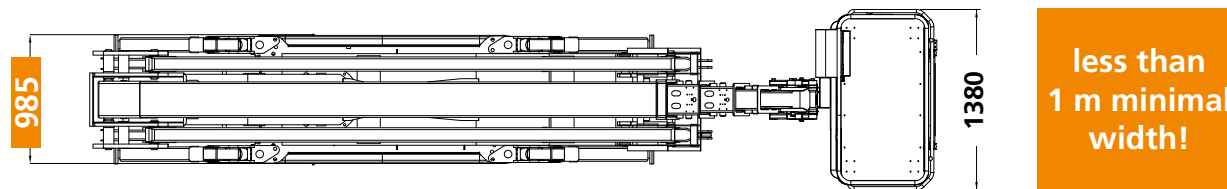
Diesel engine  
230V motor



4,60 m x 4,89 m  
3,00 m x 6,29 m



**5,78 m minimum overall length!**

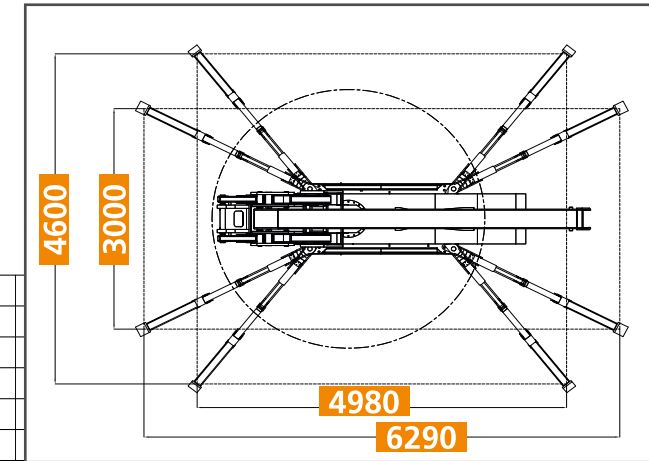


**less than 1 m minimal width!**

\* All measurements are approximative and not binding.  
Deviations are possible for technical reasons.



**less space-request –  
more variability**



**31 m**

max. working height



max. working outreach 17,5 m/120 kg  
max. working outreach 15,5 m/200 kg  
max. working outreach 14,5 m/250 kg



Self Stabilizing system



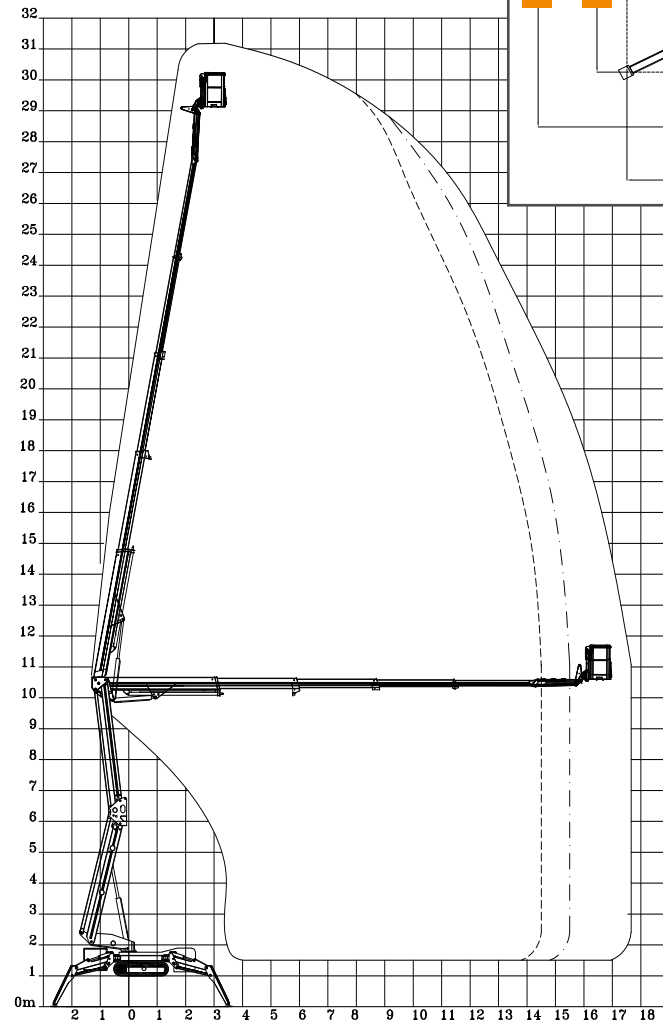
Jacking width standard 4,98 x 4,6 m  
Jacking width small 6,29 x 3,0 m



total weight 4.300 kg



jib and basket rotation and many more useful features (see back side)



Diesel engine  
230V motor



optional:



## EQUIPMENT STANDARD:

- Quickly removable aluminum basket
- Basket rotation
- Diesel engine
- i-Performing electric pump (patented) with auto Start/Stop system
- 230V power outlet in basket
- Radio remote control with interactive and multi-lingual display
- Track width adjusting system with independent axle
- Multi-area stabilizer setting (2 different set-up positions)
- Asymmetric stability area
- Moment limiting device
- Automatic center position of turret
- Self Stabilizing system
- Automatic START & STOP of engines and RPM control
- Proportional and simultaneous electro-hydraulic controls
- Proportional track drive with hydraulic breaking system
- Double drive speed system with safety control
- Driving Lateral slope alarm with safety stop
- Driving possible with jib boom raised (with selector)
- Interblock outriggers/booms
- Emergency push-button with engine stop
- Simple Emergency lowering procedure
- Hand pump for the emergency lowering of platform
- Covers on outrigger cylinder's piston rod, oil tank and emergency controls
- Modem connection plug for diagnosis/software upgrading in remote
- Produced according to EN280 norm and international safety regulation

### RUTHMANN GmbH & Co. KG

Von-Braun-Straße 4  
48712 Gescher-Hochmoor  
GERMANY

Phone: +49 2863 204-0  
Fax: +49 2863 204-212

## OPTIONAL:

- Air/Water tube
- 110V power
- Blue Lithium pack\*
- Blue Hybrid pack\*
- No-marking crawlers
- Go-Home function
- Custom paint work

\*This option increase the overall weight of platform

**Subject to change without notice**



## Technical Data:

max. working height: 31 m  
 lateral outreach: 17,5 m / 120 kg | 15,5 m / 200 kg | 14,5 m / 250 kg  
 Basket capacity: 250 kg  
 overall length: max. 6,47 m | min. 5,78 m  
 width/height: 0,99 x 1,99 m  
 total weight: 4.300 kg  
 jacking width: standard 4,6 x 4,89 m | small 3,0 x 6,29 m

Internet: [www.ruthmann.de](http://www.ruthmann.de)  
 E-Mail: [info@ruthmann.de](mailto:info@ruthmann.de)